



CONNECTED TO INNOVATION

**PPS SQ** sends **compressed air directly to workstations** with an ergonomic, compact and aesthetic design.



**PREVOST PIPING SYSTEM**



# DESIGN A CUSTOMIZED WORKBENCH WITH A WIDE RANGE OF ACCESSORIES

## THE ACCESSORIES

- Sliding carabiner  
Part Number PPS SQSH8



## CONNECTION OPTIONS FOR THE PPS SQ ALUMINUM FRAME

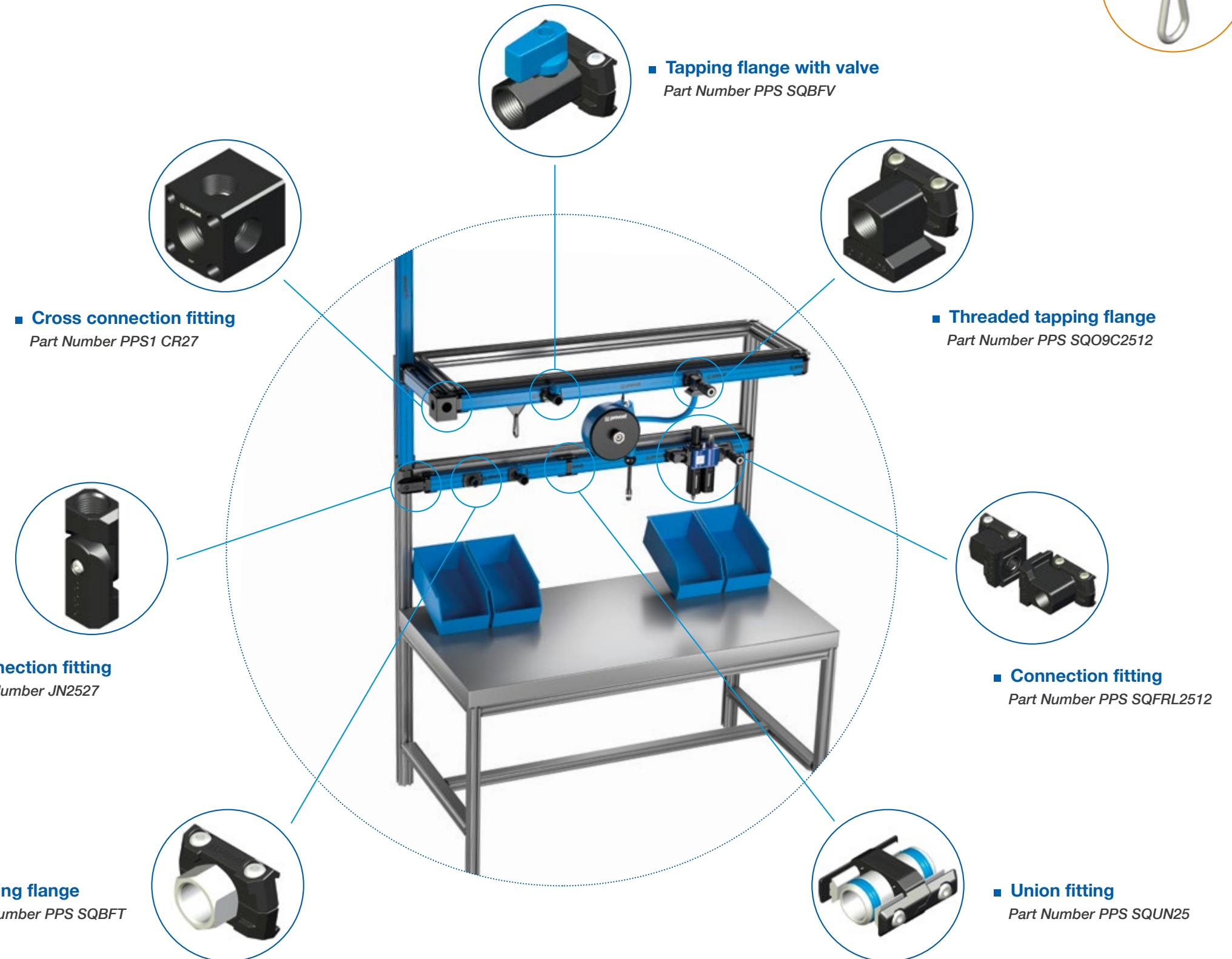
- Union fittings
- Tapping flanges
- Connection fittings

## THE BENEFITS ⊕

- 100% aluminum
- Ergonomic
- Space saving
- Customizable
- Quality & safety
- Leak free guarantee
- Increase productivity & efficiency

## THE CHARACTERISTICS

- Pressure: -14 to 232 psi
- Temperature : -4°F to 176°



■ Cross connection fitting  
Part Number PPS1 CR27

■ Tapping flange with valve  
Part Number PPS SQBFV

■ Threaded tapping flange  
Part Number PPS SQ09C2512

■ Connection fitting  
Part Number JN2527

■ Connection fitting  
Part Number PPS SQFRL2512

■ Tapping flange  
Part Number PPS SQBFT

■ Union fitting  
Part Number PPS SQUN25

# SQUARE PROFILES

## CUSTOMIZE YOUR WORKBENCH

Color: **blue or gray**

Length: **1 m or 2 m (3 ft or 6.5 ft)**

Rectangular section size: **30 x 45 mm**

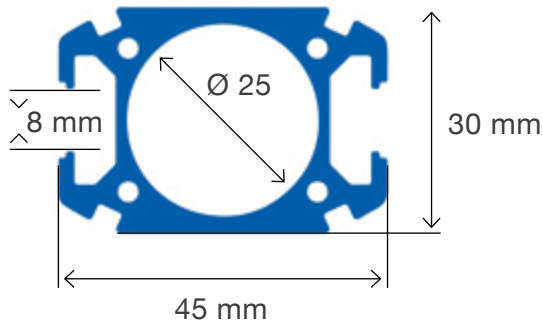
Internal diameter: **Ø 25 mm**

■ Part Number PPS BSQ2510

■ Part Number PPS BSQ2520

■ Part Number PPS GSQ2510

■ Part Number PPS GSQ2520



The strut profile of **PPS SQ** is compatible with existing profiles on the market and allows accessories (nuts, tools, etc.) to easily attach.

Install **PPS SQ** at drop points of a **PREVOST PIPING SYSTEM** network to deliver air directly to work areas.

- Individual workbenches
- Pneumatic control cabinets
- Factory assembly lines
- Production facilities



## THE ACCESSORIES



### ■ Mounting clamp with T-stud

Part Number  
PPS SQCI25HN8



### ■ Mounting clamp

Part Number  
PPS SQCI25



Prevost Corp. - 74 Brookfield Oaks Dr. Ste. 3 - Greenville, SC - USA  
Phone: (800) 845-7220 - sales.corp@prevostusa.com - www.prevostusa.com



SAS capital: 1 840 000 Euros - RCS Anancy: B 313195026 - Siret: 313 195 026 00072  
This document is not contractually binding. We reserve the right to change product specifications without prior notice.  
Published by Prevost - 04/2023 - Printed in France