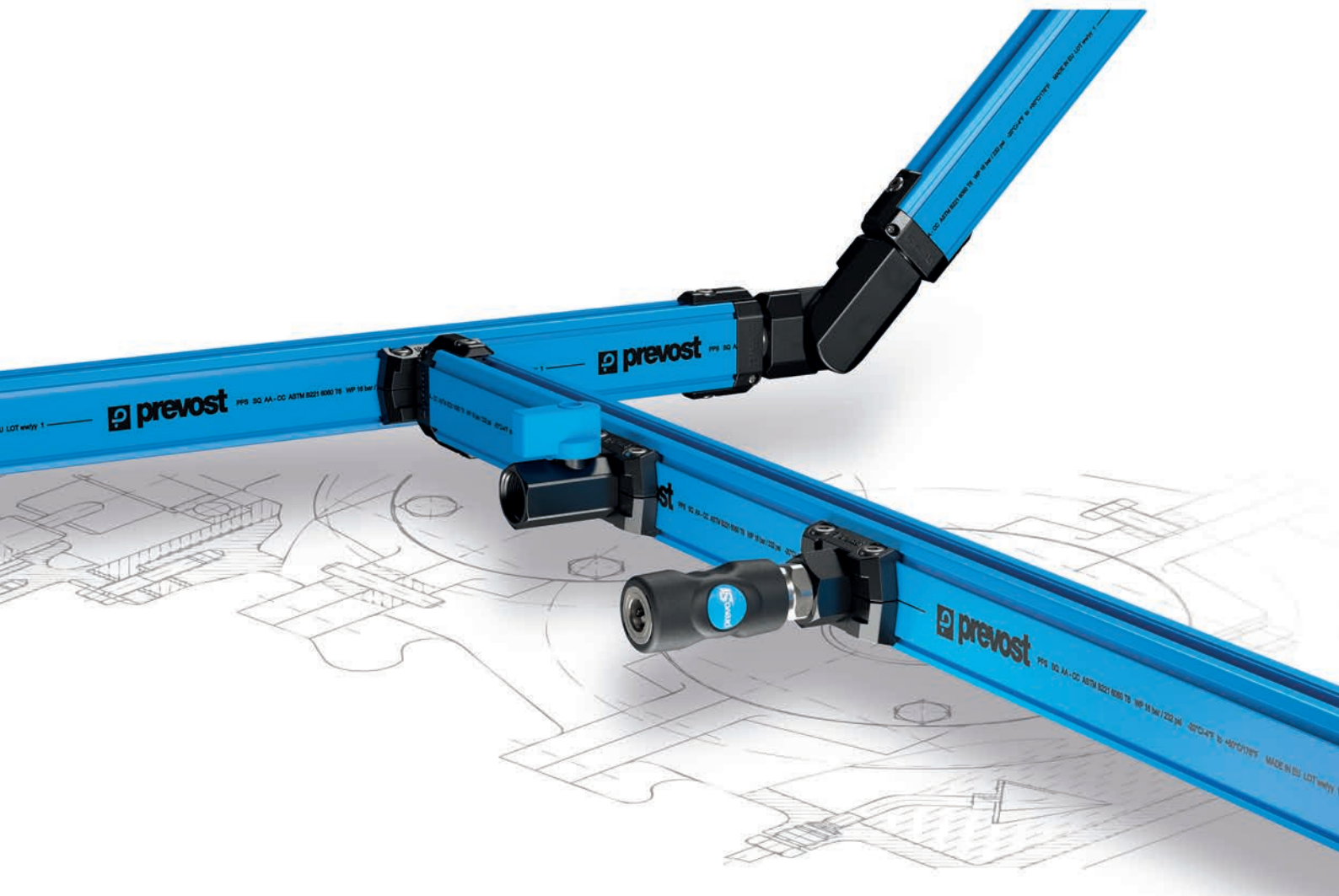




CONNECTED TO INNOVATION

The **PPS SQ** allows the **distribution of compressed air energy directly at the workstation** with an ergonomic, compact and aesthetic design.



PREVOST PIPING SYSTEM



A COMPLETE RANGE OF ACCESSORIES
TO CREATE YOUR IDEAL ENVIRONMENT

THE ACCESSORIES

- Sliding carabiner
Part Numbers PPS SQSH8



THE CONNECTING PIECES
FOR CONNECTING **PPS SQ**
PROFILE BARS

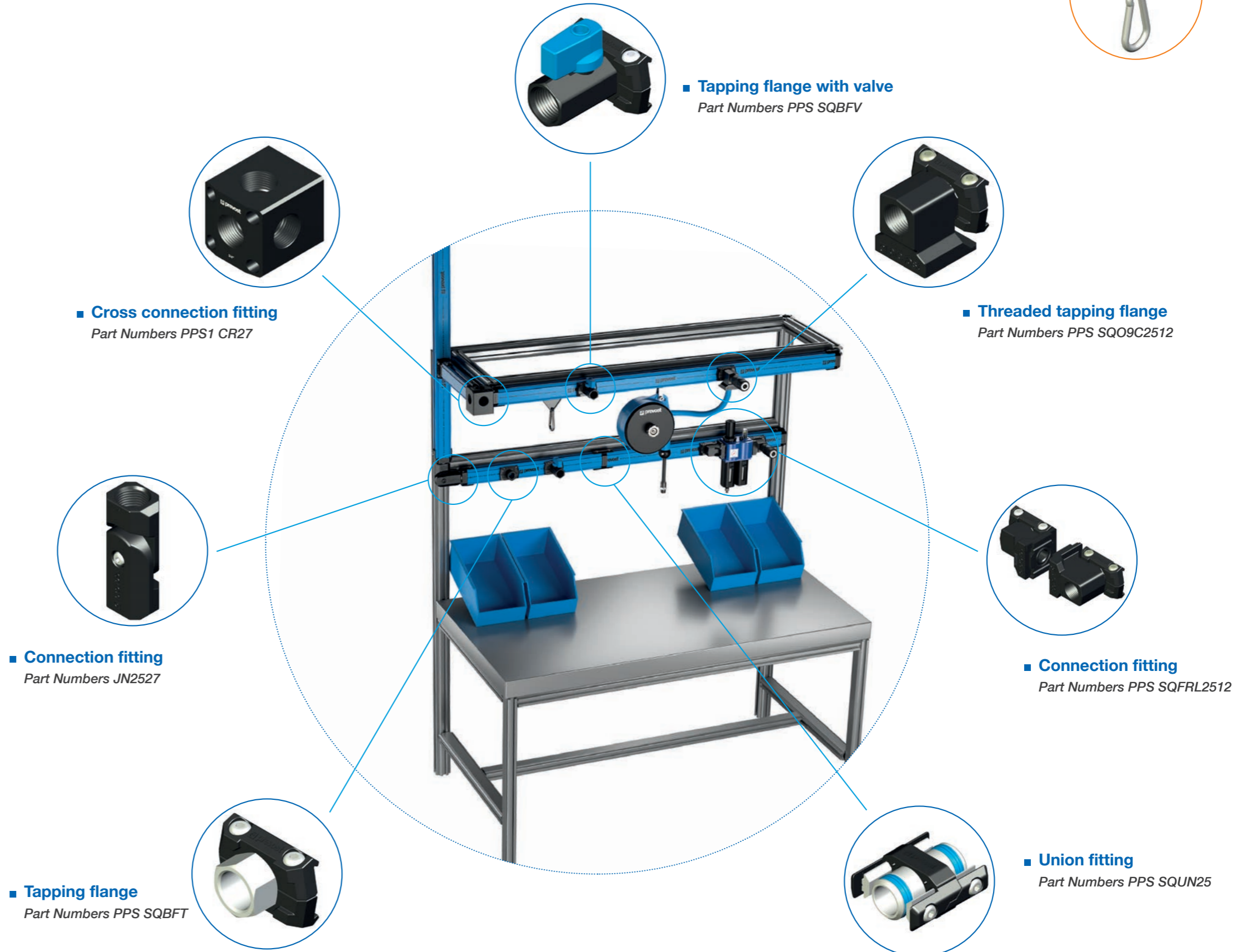
- Union fittings
- Spigot flanges
- Connection fittings

THE BENEFITS ⊕

- 100% aluminium
- Ergonomics of workstations
- Space saving
- Modularity
- Quality & Safety
- Watertightness guaranteed
- User comfort

THE CHARACTERISTICS

- Pressure : -0.98 bar to +16 bar
- Temperature : -20 °C to +80 °C



RECTANGULAR PROFILES

ADAPTED TO YOUR WORKSTATION

Color: **blue or grey**

Dimension: **1 m or 2 m**

Rectangular section size: **30 x 45 mm**

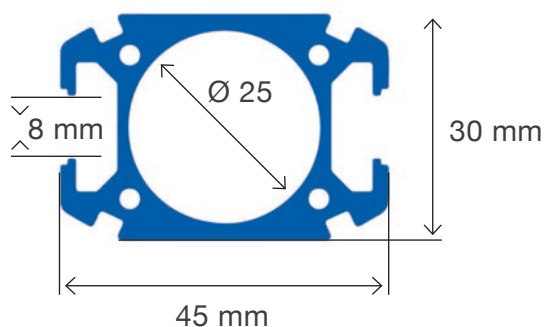
Internal diameter: **Ø 25 mm**

■ Part Numbers PPS BSQ2510

■ Part Numbers PPS BSQ2520

■ Part Numbers PPS GSQ2510

■ Part Numbers PPS GSQ2520

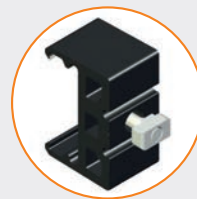


The design of the **PPS SQ** profile section includes a groove that allows the use of accessories (nuts, etc.) **compatible with the most common profiles on the market.**

It is the essential complement to **PREVOST PIPING SYSTEM** air systems that installs at the bottom of your existing downspouts to ensure the delivery of compressed air to the point of end use:

- Individual workstations
- Automatic machine lines

THE ACCESSORIES



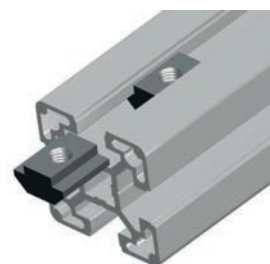
■ Fixing clamp

Part Numbers
PPS SQCI25HN8



■ Fixing clamp

Part Numbers
PPS SQCI25



Prevast UK Ltd. - Unit G, Tower Business Park, Commercial Rd, BB3 0FJ Darwen - Lancashire - United Kingdom
Phone: +44 (0)1254 873389 - sales@prevost-ltd.co.uk - www.prevost.eu

SAS capital: 1 840 000 Euros - RCS Anney: B 313195026 - Siret: 313 195 026 00072
This document is not contractually binding. We reserve the right to change product specifications without prior notice.
Published by **Prevast** - 04/2023 - Printed in France



FL_PPS SQ_23UK