

Tapered male regulator with adjusting knob - Cylinder supply - RPM IR



BSPT male thread

R 1/8

For tube OD (mm)

4

Operating pressure

0 to 10 bar

Temperature

0°C to + 60°C

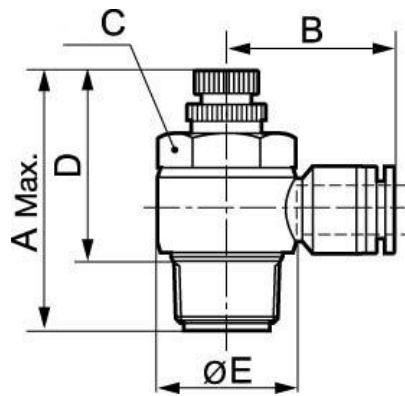
Construction

Polymer and nickel-plated
brass

Description

Reference	BSPT male thread	For tube OD (mm)
RPM IR0400	R 1/8	4
RPM IR0401	R 1/4	4
RPM IR0600	R 1/8	6
RPM IR0601	R 1/4	6
RPM IR0602	R 3/8	6
RPM IR0603	R 1/2	6
RPM IR0800	R 1/8	8
RPM IR0801	R 1/4	8

Reference	BSPT male thread	For tube OD (mm)
RPM IR0802	R 3/8	8
RPM IR0803	R 1/2	8
RPM IR1000	R 1/8	10
RPM IR1001	R 1/4	10
RPM IR1002	R 3/8	10
RPM IR1003	R 1/2	10
RPM IR1201	R 1/4	12
RPM IR1202	R 3/8	12
RPM IR1203	R 1/2	12



Dimensions

Reference	A mm	B mm	C mm	D mm	E mm
RPM IR0400	42	22	10	33	14
RPM IR0401	49	24	14	40	18.2
RPM IR0600	41	23	10	33.5	14.5
RPM IR0601	49	25.5	14	40	18.2
RPM IR0602	58	27.1	19	47	22
RPM IR0603	63	30.1	24	50	27.4
RPM IR0800	41	24.6	10	33.5	14.5
RPM IR0801	49	26.8	14	40	18.2
RPM IR0802	58	28.8	19	47	22
RPM IR0803	63	30.5	24	50	27.4
RPM IR1000	41	28.5	10	33.5	14.5
RPM IR1001	49	31	14	40	18.2
RPM IR1002	58	31	19	47	22
RPM IR1003	63	34	24	50	27.4
RPM IR1201	49	31.8	14	40	18.2
RPM IR1202	58	34	19	47	22
RPM IR1203	63	35.8	24	50	27.4