

Connector - RPJ PG



BSPP male thread

G 1/8

Fitting ID (mm)

4

Operating pressure

0 to 10 bar

Temperature

0°C to + 60°C

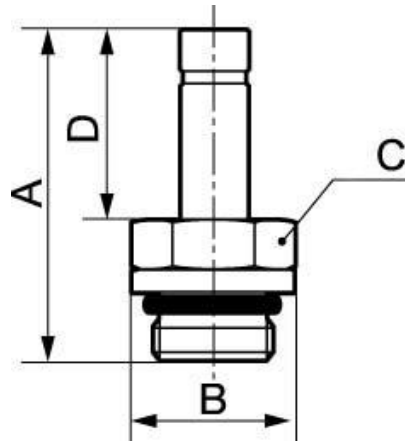
Construction

Polymer and nickel-plated
brass

Description

| Reference | BSPP male thread | Fitting ID (mm) |
|-------------------|------------------|-----------------|
| RPJ PG0400 | G 1/8 | 4 |
| RPJ PG0500 | G 1/8 | 5 |
| RPJ PG0501 | G 1/4 | 5 |
| RPJ PG0600 | G 1/8 | 6 |
| RPJ PG0601 | G 1/4 | 6 |
| RPJ PG0800 | G 1/8 | 8 |
| RPJ PG0801 | G 1/4 | 8 |
| RPJ PG0802 | G 3/8 | 8 |
| RPJ PG1001 | G 1/4 | 10 |
| RPJ PG1002 | G 3/8 | 10 |
| RPJ PG1201 | G 1/4 | 12 |

| Reference | BSPP male thread | Fitting ID (mm) |
|-------------------|------------------|-----------------|
| RPJ PG1202 | G 3/8 | 12 |



| Dimensions | | | | |
|-------------------|------|------|------|------|
| Reference | A mm | B mm | C mm | D mm |
| RPJ PG0400 | 29 | 13.6 | 12 | 18 |
| RPJ PG0500 | 29 | 13.9 | 12 | 18 |
| RPJ PG0501 | 31 | 19.6 | 17 | 18 |
| RPJ PG0600 | 29 | 13.9 | 12 | 18 |
| RPJ PG0601 | 31 | 19.6 | 17 | 18 |
| RPJ PG0800 | 32 | 13.9 | 12 | 21 |
| RPJ PG0801 | 34 | 19.6 | 17 | 21 |
| RPJ PG0802 | 35 | 21.9 | 19 | 21 |
| RPJ PG1001 | 36 | 19.6 | 17 | 23 |
| RPJ PG1002 | 37 | 21.9 | 19 | 23.5 |
| RPJ PG1201 | 36.5 | 19.6 | 17 | 23.5 |
| RPJ PG1202 | 37.5 | 21.9 | 19 | 23.5 |