

90° equal elbow - RPC ET



For tube OD (mm)

4

Operating pressure

0 to 10 bar

Temperature

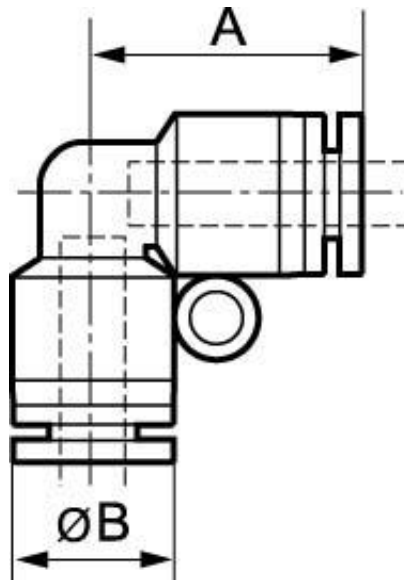
0°C to + 60°C

Construction

Polymer and nickel-plated
brass

Description

Reference	For tube OD (mm)
RPC ET0404	4
RPC ET0505	5
RPC ET0606	6
RPC ET0808	8
RPC ET1010	10
RPC ET1212	12
RPC ET1414	14
RPC ET1616	16



Dimensions

Reference	A mm	B mm
RPC ET0404	17.5	10
RPC ET0505	20.5	12.8
RPC ET0606	20.5	12.8
RPC ET0808	22.5	13.8
RPC ET1010	22.8	13.8
RPC ET1212	27	16.8
RPC ET1414	29.8	19.8
RPC ET1616	30.8	23.8