

Bidirectional regulator - Tube/Tube - RPO ET



For tube OD (mm)

4

Operating pressure

0 to 10 bar

Temperature

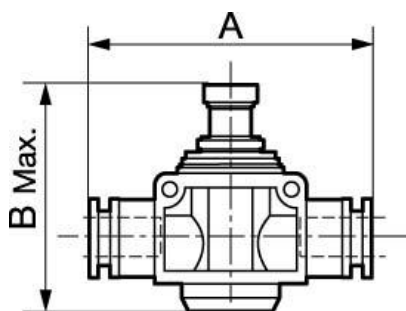
0°C to + 60°C

Construction

Polymer and nickel-plated
brass

Description

| Reference | For tube OD (mm) |
|------------|------------------|
| RPO ET0404 | 4 |
| RPO ET0606 | 6 |
| RPO ET0808 | 8 |
| RPO ET1010 | 10 |
| RPO ET1212 | 12 |



Dimensions

| Reference | A mm | B mm |
|------------|------|------|
| RPO ET0404 | 48 | 31 |
| RPO ET0606 | 49 | 46 |
| RPO ET0808 | 55.1 | 50 |
| RPO ET1010 | 63 | 53 |
| RPO ET1212 | 75 | 63 |