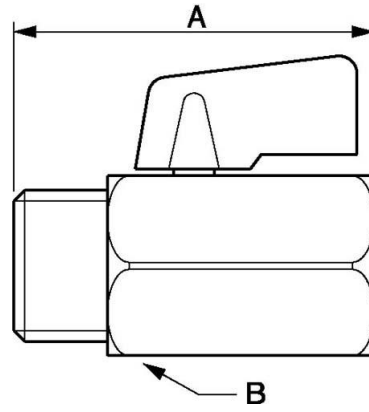


## Parallel mini butterfly male-female valves PN 16



Description			
Reference	BSPP male thread	BSPP female thread	Max operating pressure (bar)
<b>MSI 10</b>	G 1/8	G 1/8	16
<b>MSI 13</b>	G 1/4	G 1/4	16
<b>MSI 17</b>	G 3/8	G 3/8	16
<b>MSI 21</b>	G 1/2	G 1/2	16



**Dimensions**

<b>Reference</b>	<b>A mm</b>	<b>B mm</b>
<b>MSI 10</b>	42	21
<b>MSI 13</b>	42	21
<b>MSI 17</b>	42	21
<b>MSI 21</b>	49	25