

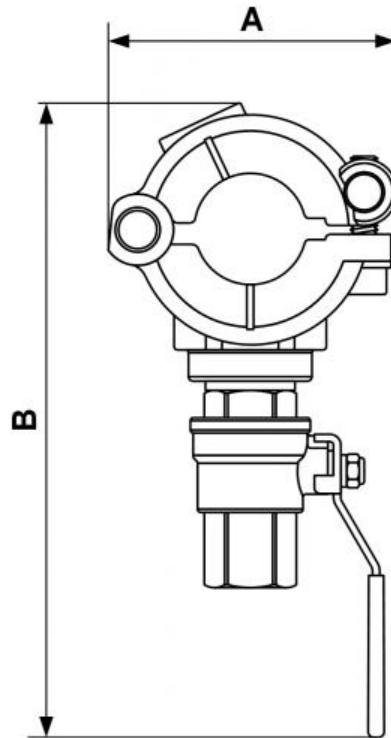
PPS1 BFV - Tapping flange BFT with valve



<p><u>For pipe OD</u> (2) 25</p>	<p><u>BSPF female thread</u> G 1/2</p>	<p><u>Technology</u> PPS Grip Concept</p>	<p><u>Operating pressure</u> 0 to 16 bar</p>
<p><u>Vacuum capability</u> -0.98 bar (vacuum 98%)</p>	<p><u>Temperature</u> -20°C to +80°C</p>	<p><u>Construction</u> Pipe and fittings: alu.</p>	<p><u>Highlight</u> Scalable system</p>
<p><u>Meets standards</u> PED REACH</p>			

Description		
Reference	For pipe OD	BSPF female thread
PPS1 BFV2512	(2) 25	G 1/2
PPS1 BFV3212	(2) 32	G 1/2
PPS1 BFV4012	(2) 40	G 1/2
PPS1 BFV4034	(1) 40	G 1
PPS1 BFV5012	(2) 50	G 1/2
PPS1 BFV5034	(1) 50	G 1

Reference	For pipe OD	BSPP female thread
PPS1 BFV6312	(2) 63	G 1/2
PPS1 BFV6334	(1) 63	G 1
PPS1 BFV8012	(2) 80	G 1/2
PPS1 BFV8034	(1) 80	G 1
PPS1 BFV10012	(2) 100	G 1/2
PPS1 BFV10034	(1) 100	G 1



Dimensions

Reference	A mm	B mm
PPS1 BFV2512	65	145
PPS1 BFV3212	65	145
PPS1 BFV4012	94	170
PPS1 BFV4034	94	210
PPS1 BFV5012	94	170
PPS1 BFV5034	94	210
PPS1 BFV6312	137	210
PPS1 BFV6334	137	245
PPS1 BFV8012	137	210
PPS1 BFV8034	137	245

Reference	A mm	B mm
PPS1 BFV10012	159	225
PPS1 BFV10034	159	255