

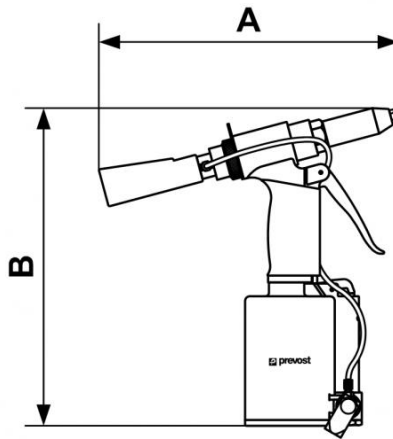
Hydro-pneumatic riveter with suction system



| | | | |
|--|---|---|--|
| <p><u>Diameter (rivets (mm))</u></p> <ul style="list-style-type: none"> - Steel, Aluminium: 2.4 - 4.8 - Stainless steel: 2,4 – 4 mm | <p><u>Consumption (l/min)</u></p> <p>123</p> | <p><u>Piston stroke (mm)</u></p> <p>14</p> | <p><u>Traction force (kg)</u></p> <p>1219</p> |
| <p><u>BSPT female thread</u></p> <p>R 1/4</p> | <p><u>Sound level (dB(A))</u></p> <p>60</p> | <p><u>Weight (kg)</u></p> <p>1.5</p> | <p><u>Max operating pressure</u></p> <p>6,2 bar</p> |
| <p><u>Connection</u></p> <p>Supplied with 3 adaptors: ISO 6150 B; European 7,4 mm; ARO 210</p> | | | |

| Description | | | | | | | |
|-------------|------------------------|---------------------|--------------------|---------------------|--------------------|---------------------|-------------|
| Reference | Diameter (rivets (mm)) | Consumption (l/min) | Piston stroke (mm) | Traction force (kg) | BSPT female thread | Sound level (dB(A)) | Weight (kg) |

| | | | | | | | |
|------------------------------|---|------------|-----------|-------------|--------------|-----------|------------|
| <p>TAR 481220</p> | <p>- Steel, Aluminium: 2,4 - 4,8 - Stainless steel: 2,4 - 4 mm</p> | <p>123</p> | <p>14</p> | <p>1219</p> | <p>R 1/4</p> | <p>60</p> | <p>1.5</p> |
| <p>TAR 641895</p> | <p>- Steel, Aluminium: 2,4 - 6,4 mm - Stainless steel: 2,4 - 5,6 mm</p> | <p>148</p> | <p>19</p> | <p>1894</p> | <p>R 1/4</p> | <p>63</p> | <p>2.2</p> |



Dimensions

| Reference | A mm | B mm |
|-------------------|------|------|
| TAR 481220 | 261 | 277 |
| TAR 641895 | 273 | 323 |