

## Aluminium impact wrench for intensive use - Twin hammer



**Square driver**

1/2"

**Max. unscrew torque (Nm)**

949

**Consumption (l/min)**

119

**Rotation speed (rpm)**

7000

**BSPT female thread**

R 1/4

**Sound level (dB(A))**

94

**Weight (kg)**

2.86

**Max operating pressure**

6,2 bar

**Applications**

Fitting and removal of bolts and screws

**Highlight**

Tightening capacity

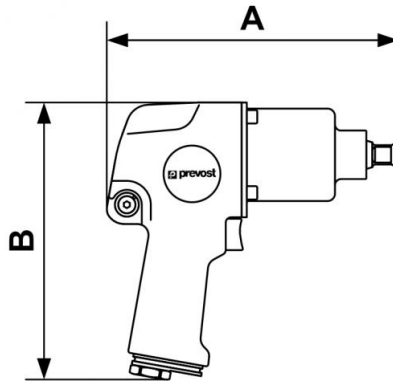
**Connection**

Supplied with 3 adaptors: ISO 6150 B; European 7,4 mm; ARO 210

Description

Reference	Square driver	Max. unscrew torque (Nm)	Consumption (l/min)	Rotation speed (rpm)	BSPT female thread	Sound level (dB(A))	Weight (kg)
-----------	---------------	--------------------------	---------------------	----------------------	--------------------	---------------------	-------------

<b>TIW A120950</b>	1/2"	949	119	7000	R 1/4	94	2.86
<b>TIW A341490</b>	3/4"	1492	269	5500	R 3/8	96	5.6



Dimensions		
Reference	A mm	B mm
<b>TIW A120950</b>	195	185
<b>TIW A341490</b>	221	240