

DVO series - Steel with PVC hose



ID/OD (mm)

12.7 x 17

Swivel inlet (mm)

19 x 25

Max operating pressure

10 bar

Length (m)

20

Weight (kg)

20

Temperature

-15°C to +60°C

Coupler

ELS 09

Technology

Pipe locked with ratchet stop

Construction

Epoxy-coated steel case

Connection

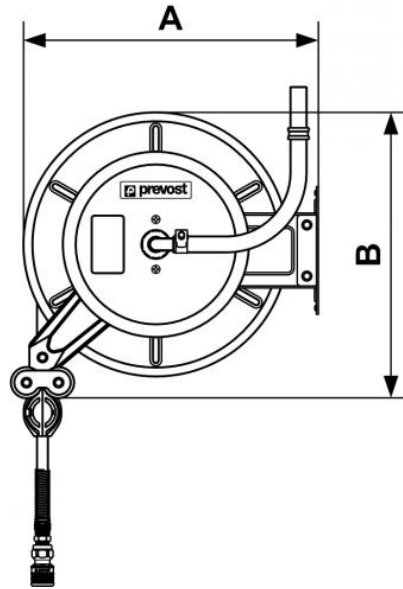
1 m of inlet supply hose

Equipped with

Fixed bracket

Description

Reference	ID/OD (mm)	Length (m)	Coupler	Swivel inlet (mm)	Weight (kg)
DVO 1320LS	12.7 x 17	20	ELS 09	19 x 25	20
DVO 1515LS	15 x 21	15	ELS 09	19 x 25	20



Dimensions

Reference	A mm	B mm
DVO 1320LS	495	475
DVO 1515LS	495	475