

Tapered male thread 90° elbow - RPC MR



Quantity

5

BSPT male thread

R 1/8

For tube OD (mm)

4

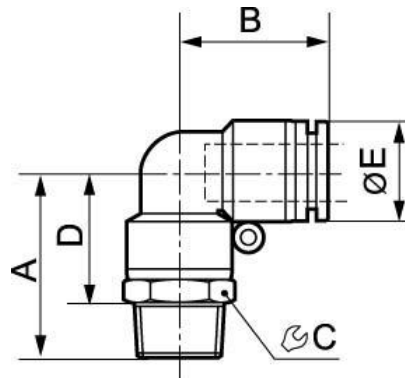
Operating pressure

0 to 10 bar

Construction

Polymer and nickel-plated
brass

Description			
Reference	Quantity	BSPT male thread	For tube OD (mm)
RPC MR0400P	5	R 1/8	4
RPC MR0401P	5	R 1/4	4
RPC MR0600P	5	R 1/8	6
RPC MR0601P	5	R 1/4	6
RPC MR0800P	5	R 1/8	8
RPC MR0801P	5	R 1/4	8
RPC MR0802P	5	R 3/8	8
RPC MR1001P	5	R 1/4	10
RPC MR1002P	5	R 3/8	10



Dimensions

Reference

RPC MR0400P

RPC MR0401P

RPC MR0600P

RPC MR0601P

RPC MR0800P

RPC MR0801P

RPC MR0802P

RPC MR1001P

RPC MR1002P