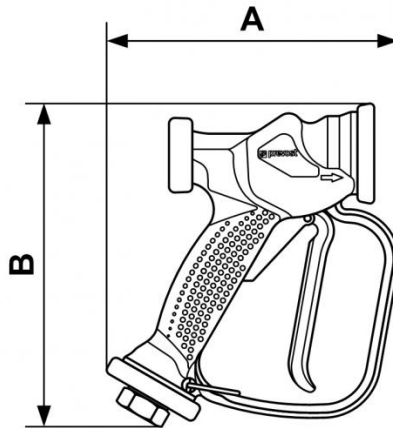


Multi-purpose wash gun



| Description | | | | | | |
|---------------|--------------------|-----------------------|------------------------------|------------------------|---|------------|
| Reference | BSPP female thread | Flow rate (at 12 bar) | Max operating pressure (bar) | Temperature (max (°C)) | Construction | Weight (g) |
| PM JET | G 1/2 | 50 l/min | 12 | 50 | Polypropylenewash gun with polyamid coating PA 66 | 440 |



Dimensions

| Reference | A mm | B mm |
|---------------|------|------|
| PM JET | 175 | 194 |