

Male thread swivel coupler



BSPB male thread

G 1/2

Profile

British

Technology

"One push" safety system (avoids hose whip)

Operating pressure

2 to 12 bar

Flow rate at 6 bar

750 l/min (?P : 0,6 bar)

ID Passage

6 mm

Temperature

-15°C to +70°C

Construction

Composite body

Highlight

Anti-static Non scratch

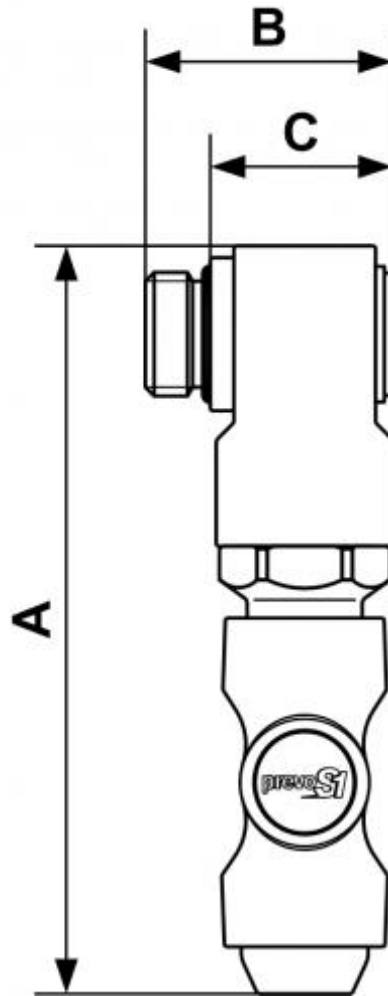
Description

Reference

BSI 061153SE

BSPB male thread

G 1/2



Dimensions

Reference	A mm	B mm	C mm
BSI 061153SE	127	42	24